

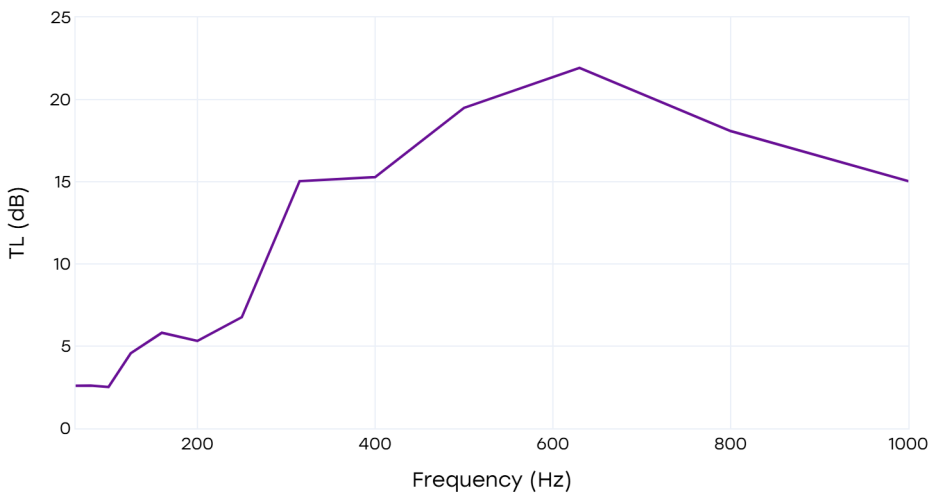
ACTIVE ACOUSTIC ABSORBER

- Wide frequency range
- Compact
- Active

SilentFlow is a range of circular acoustic absorbers for 160 mm ducts. The **active** version adds electro-acoustic membranes to enhance performance at low frequencies, even with short treatment lengths.

Transmission Loss - Third octave bands

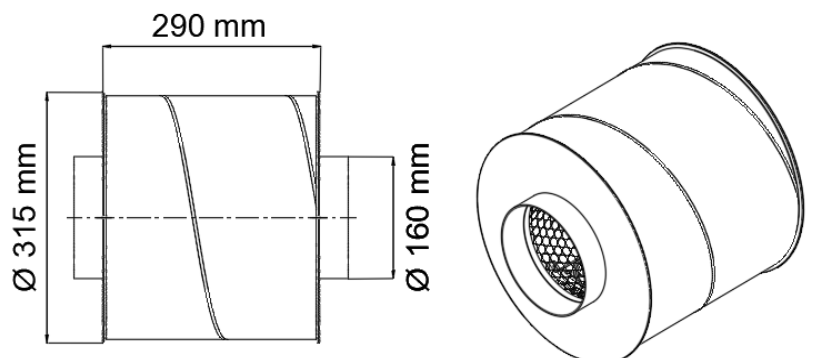
Respecting ISO7235 in our labs



	Active
63	2.6
80	2.6
100	2.5
125	4.7
160	5.8
200	5.3
250	6.7
315	15
400	15.3
500	19.5
630	22
800	18
1000	15

Mechanical properties

Int. diameter	159 mm
Ext. diameter	326 mm
Length	290 mm
Mass	4.7 kg
Electric supply	110-220V / 5W



MADE IN FRANCE